



RECESSED ACCESS DOOR

Model DSC-210

For Acoustical Tile



KARP ASSOCIATES, INC.
 54-54 43rd Street, Maspeth, NY 11378
 (718) 784-2105 - Phone
 (718) 784-9169 - Fax

DATE _____

SPECIFICATIONS

GENERAL SCOPE:

Access doors shall be Karp Type DSC-210 as manufactured by Karp Associates, Inc., Maspeth, N.Y. Sizes shall be as indicated on the drawings.

CONSTRUCTION:

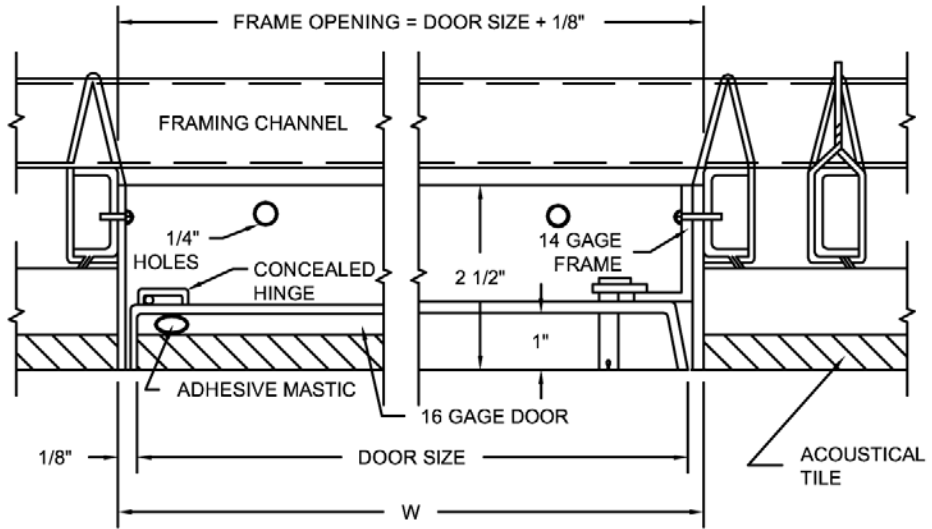
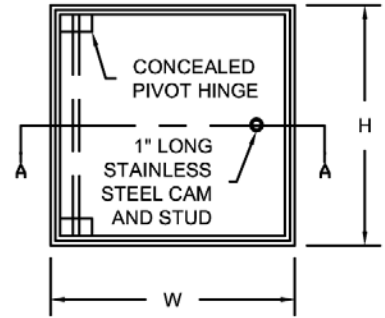
1. Frame shall be 14 gage steel and door shall 16 gage steel.
2. Door shall be recessed 1".
3. Hinge shall be concealed pivoting rod type.
4. Locks shall be flush and screwdriver operated with stainless steel cam and studs, or shall be key operated cylinder lock with automatic dust shutter.
5. Finish shall be prime coat of rust inhibitive electrostatic powder, baked grey enamel.

STANDARD SIZES

DOOR SIZE H X W (IN.)	WALL/CEILING OPENING (IN.)	NUMBER OF STUD LATCHES	SHIP WT. (LBS.)
12 x 12	12 1/8 x 12 1/8	1	6.7
18 x 18	18 1/8 x 18 1/8	2	12.4
24 x 12	24 1/8 x 12 1/8	2	10.6
24 x 24	24 1/8 x 24 1/8	2	19.2
36 x 24	36 1/8 x 24 1/8	2	32.0

PROJECT DATA
Project Name:
Architect:
Contractor:
Agent/Customer Name:
Tagging Instructions:
Special Instructions:

PROJECT SCHEDULE					
Qty.	H	W	No. of Latches	Finish	Remarks



SECTION A-A



Made with Union Labor