

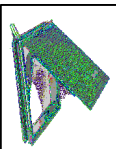


FLOOR ACCESS DOOR

Model KFD
Hinged (Watertight)

DATE _____

KARP ASSOCIATES, INC.
54-54 43rd Street, Maspeth, NY 11378
(718) 784-2105 - Phone
(718) 784-9169 - Fax



SPECIFICATIONS

GENERAL SCOPE:

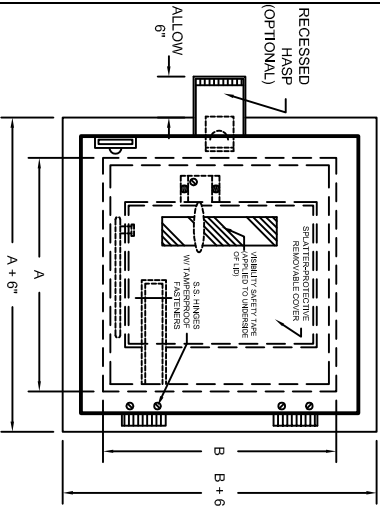
Access doors shall be Karp Type KFD as manufactured by Karp Associates, Inc., Maspeth, N.Y. Sizes shall be as indicated on the drawings.

CONSTRUCTION:

1. Frame shall be aluminum extrusion with integral anchor flanges (watertight frame includes drain channel and neoprene gasket).
2. Hinges and all hardware shall be stainless steel.
3. Door leaf shall be diamond tread plate to withstand a live load of 300 lbs./sq. ft. or H20 loading without impact. Operation shall be assisted with stainless steel compression springs (optional). A hold open arm shall automatically lock the door in a 90° position.
4. Door can be equipped with a staple, staple and hasp, recessed hasp, stainless steel snap, brass pentahed or keyed cylinder lock.
5. Finish shall be a mill finish, with bituminous coating applied to the exterior of frame.

STANDARD SIZES

DOOR SIZE H X W (IN.)	SHIP WT. (LBS.)	
	KFDSD	KFDHD
24 x 24	50.0	71.0
30 x 24	56.0	81.0
30 x 30	63.0	93.0
36 x 24	62.0	91.0
36 x 30	70.0	105.0
36 x 36	78.0	118.0
48 x 36	97.0	147.0
48 x 48	118.0	181.0
72 x 48	158.0	248.0

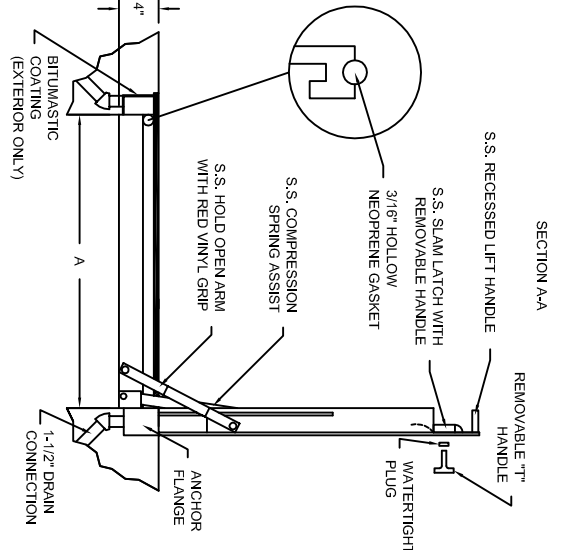


PROJECT DATA

Project Name: _____
 Architect: _____
 Contractor: _____
 Agent/Customer Name: _____
 Tagging Instructions: _____
 Special Instructions: _____

PROJECT SCHEDULE

Qty.	H	W	No. of Latches	Finish	Remarks



Made with Union Labor

