



# INSULATED FIRE RATED ACCESS DOOR WITH DRYWALL BEAD

Model KRP-350FR

For Walls And Ceilings



**KARP ASSOCIATES, INC.**  
54-54 43rd Street, Maspeth, NY 11378  
(718) 784-2105 - Phone  
(718) 784-9169 - Fax

DATE

## SPECIFICATIONS

### GENERAL SCOPE:

The KRP-350FR is insulated and rated by Underwriters Laboratories for 1.5 hour "B" label in walls, and may be used in a 2 hour fire rated wall assembly. Additionally, Warnock Hersey rated the KRP-350FR for 3 hours in ceilings.

### CONSTRUCTION:

1. Frame shall be 16 gage steel, 1" wide, surrounded by galvanized drywall bead.
2. Door shall be 20 gage steel, welded pan type filled with 2" thick fire-rated insulation, and shall open to 175°, be self-latching with automatic closer and interior latch release.
3. Hinge shall be continuous piano hinge.
4. Latches shall be spring loaded sliding bolt type, keyed paddle latch, all keyed alike. Door can be prepared for a rim cylinder lock.
5. Finish shall be prime coat of rust inhibitive electrostatic powder, baked grey enamel. Stainless steel doors shall have #4 satin finish.

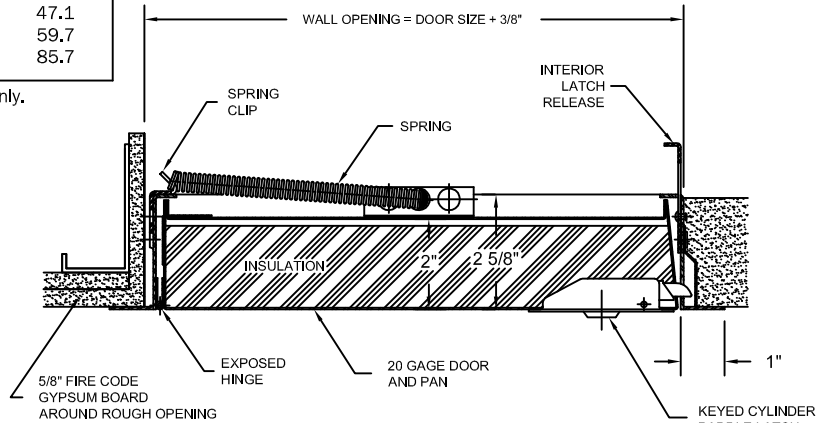
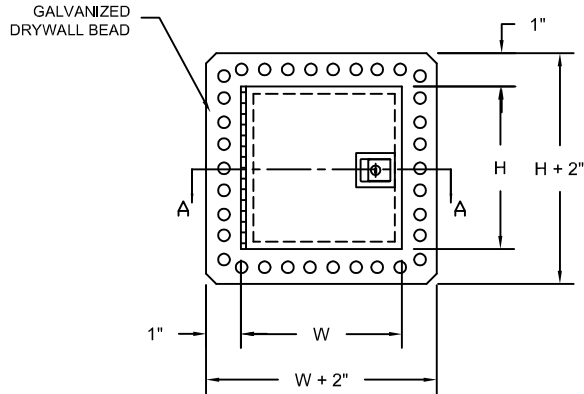
### STANDARD SIZES

DOOR SIZE H X W (IN.)	WALL/CEILING OPENING (IN.)	NUMBER OF LATCHES	SHIP WT. (LBS.)
8 x 8	8 3/8 x 8 3/8	1	6.1
12 x 12	12 3/8 x 12 3/8	1	9.3
14 x 14	14 3/8 x 14 3/8	1	12.2
16 x 16	16 3/8 x 16 3/8	1	13.6
18 x 18	18 3/8 x 18 3/8	1	18.2
24 x 12	24 3/8 x 12 3/8	1	14.9
22 x 22	22 3/8 x 22 3/8	1	23.5
24 x 24	24 3/8 x 24 3/8	1	25.7
30 x 22	30 3/8 x 22 3/8	1	26.8
30 x 24	30 3/8 x 24 3/8	1	31.0
30 x 30*	30 3/8 x 30 3/8	1	36.3
32 x 32*	32 3/8 x 32 3/8	1	39.8
36 x 22	36 3/8 x 22 3/8	2	33.1
36 x 24	36 3/8 x 24 3/8	2	38.7
36 x 36*	36 3/8 x 36 3/8	2	50.1
48 x 24*	48 3/8 x 24 3/8	2	47.1
48 x 36*	48 3/8 x 36 3/8	2	59.7
48 x 48*	48 3/8 x 48 3/8	2	85.7

\*NOTE: All doors sized larger than 24" wide are for walls only. Not available for ceilings.

PROJECT DATA					
Project Name:					
Architect:					
Contractor:					
Agent/Customer Name:					
Tagging Instructions:					
Special Instructions:					

PROJECT SCHEDULE					
Qty.	H	W	No. of Latches	Finish	Remarks



SECTION A-A



Made with Union Labor