



KARP ASSOCIATES, INC.
 54-54 43rd Street, Maspeth, NY 11378
 (718) 784-2105 - Phone
 (718) 784-9189 - Fax

SESAME ACCESS DOOR
MODEL KSTDW
 For Drywall Ceilings

DATE

PROJECT DATA

Project Name:	
Architect:	
Contractor:	
Agent/Customer Name:	
Tagging Instructions:	
Special Instructions:	

SPECIFICATIONS

GENERAL SCOPE:

Access doors shall be Karp Type KSTDW as manufactured by Karp Associates, Inc., Maspeth, N.Y.
 Sizes shall be as indicated on the drawings.

CONSTRUCTION:

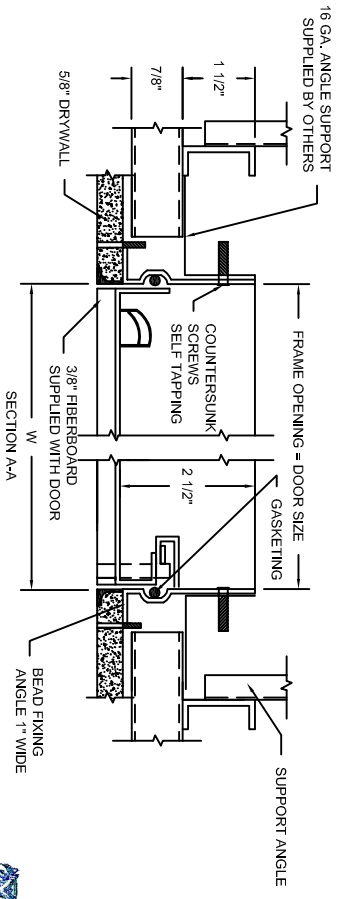
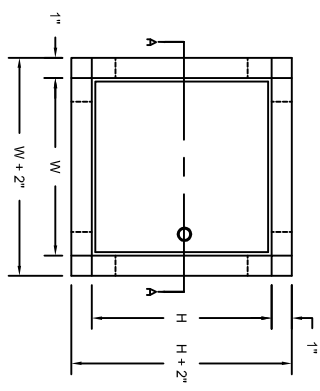
1. Frame shall be 20 gage galvanized steel.
2. Door shall be 20 gage galvanized steel and shall be lined with 3/8" mineral fiberboard.
3. Gasketing shall be flame retardant polyurethane.
4. Locks shall have plastic grommets and shall be square head key wrench operated.
5. Hinge shall be concealed pivot with a controlled action device (CAD), except for size 12" x 12".

STANDARD SIZES

DOOR SIZE H x W (INCHES)	SHIPPING WT. (LBS.)
12 x 12	8.2
18 x 18	16.7
24 x 24	17.6
36 x 24	44.4
48 x 24	32.6

PROJECT SCHEDULE

Qty.	H	W	No. of Latches	Finish	Remarks



Made with Union Labor