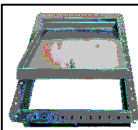




RECESSED DOOR TO RECEIVE DRYWALL Model RDW

DATE

KARP ASSOCIATES, INC.
54-54 43rd Street, Maspeth, NY 11378
(718) 784-2105 - Phone
(718) 784-9169 - Fax



SPECIFICATIONS

GENERAL SCOPE:

Access doors shall be Karp Type RDW as manufactured by Karp Associates, Inc., Maspeth, N.Y. Sizes shall be as indicated on the drawings.

CONSTRUCTION:

1. Frame shall be 14 gage steel and doors shall be 16 gage steel.
2. Door shall be recessed 1".
3. Trim shall be galvanized steel dry wall bead.
4. Hinge shall be concealed, pivoting rod type.
5. Locks shall be flush and screwdriver operated with stainless steel cam and studs, or shall be key operated cylinder lock with automatic dust shutter.
6. Finish shall be prime coat of rust inhibitive electrostatic powder, baked grey coat.

STANDARD SIZES

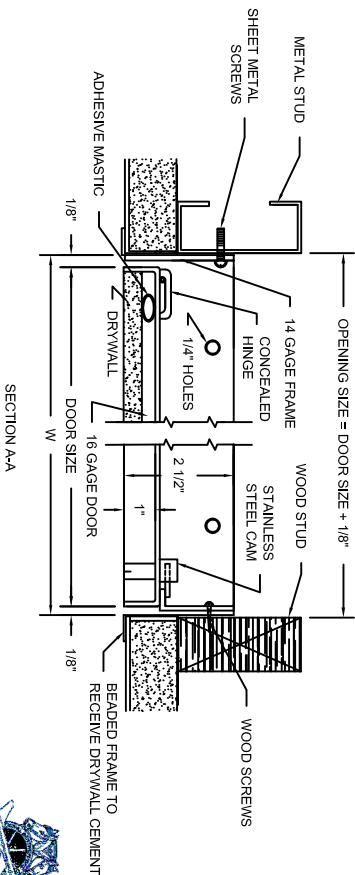
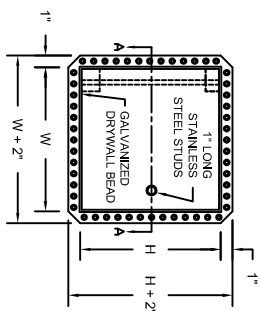
DOOR SIZE H X W (IN.)	WALL/CEILING OPENING (IN.)	NUMBER OF LATCHES	SHP WT. (LBS.)
12 x 12	12 1/8 x 12 1/8	1	7.4
18 x 18	18 1/8 x 18 1/8	2	12.8
24 x 12	24 1/8 x 12 1/8	2	12.5
24 x 24	24 1/8 x 24 1/8	4	19.4
36 x 24	36 1/8 x 24 1/8	5	29.0

PROJECT DATA

Project Name: _____
 Architect: _____
 Contractor: _____
 Agent/Customer Name: _____
 Tagging Instructions: _____
 Special Instructions: _____

PROJECT SCHEDULE

Qty.	H	W	No. of Latches	Finish	Remarks



SECTION A-A



Made with Union Labor