

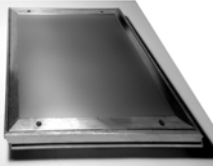


# FLOOR ACCESS PANEL

## Model KAFA

### Recessed 1/8" Smooth Aluminum

#### For All Types of Construction



**KARP ASSOCIATES, INC.**  
 260 Spagnoli Road Melville, NY 11747  
 (631) 768-8300 - Phone  
 (631) 768-8350 - Fax

DATE

### SPECIFICATIONS

#### GENERAL SCOPE:

Access doors shall be Karp Type KAFA as manufactured by Karp Associates, Inc., Melville, N.Y. Sizes shall be as indicated on the drawings.

#### CONSTRUCTION:

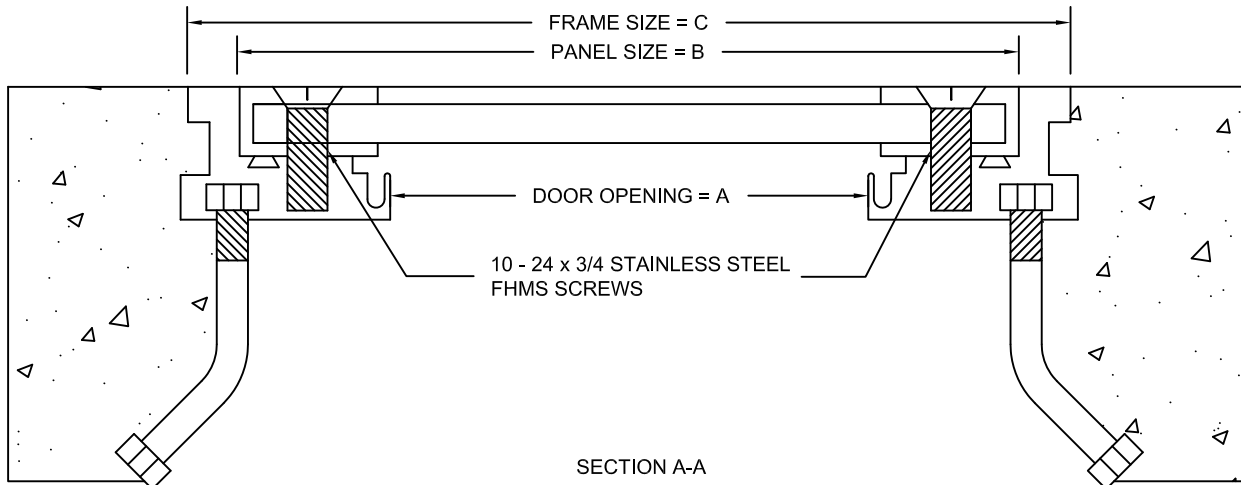
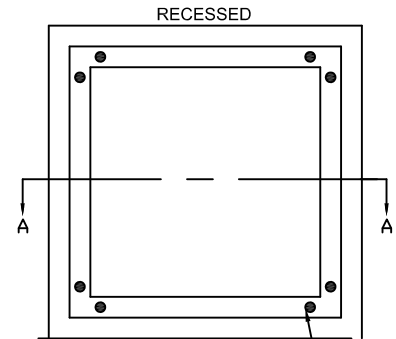
1. Panels shall be 1/4" 6061-T651 aluminum with the following options: recessed 1/8", flush smooth plate, flush-diamond plate.
2. Frame shall be 6063-T5 extruded aluminum with die cast corner connectors and shall be installed with rubber cork strip seal.
3. Panel shall be secured with 10-24 x 3/4 stainless steel FHMS screws.

#### STANDARD SIZES

| A<br>DOOR OPENING<br>H X W (IN.) | B<br>PANEL SIZE<br>(IN.) | C<br>FRAME SIZE<br>H X W (IN.) | SHIP WT.<br>(LBS.) |
|----------------------------------|--------------------------|--------------------------------|--------------------|
| 12 x 12                          | 13 1/2 x 13 1/2          | 14 x 14                        | 11.0               |
| 18 x 18                          | 16 1/2 x 19 1/2          | 20 x 20                        | 19.0               |
| 24 x 24                          | 25 1/2 x 25 1/2          | 26 x 26                        | 29.0               |
| 30 x 30                          | 31 1/2 x 31 1/2          | 32 x 32                        | 53.0               |
| 36 x 36                          | 37 1/2 x 37 1/2          | 38 x 38                        | 75.0               |

| PROJECT DATA          |  |  |  |  |
|-----------------------|--|--|--|--|
| Project Name:         |  |  |  |  |
| Architect:            |  |  |  |  |
| Contractor:           |  |  |  |  |
| Agent/Customer Name:  |  |  |  |  |
| Tagging Instructions: |  |  |  |  |
| Special Instructions: |  |  |  |  |

| PROJECT SCHEDULE |   |   |        |         |
|------------------|---|---|--------|---------|
| Qty.             | H | W | Finish | Remarks |
|                  |   |   |        |         |
|                  |   |   |        |         |
|                  |   |   |        |         |
|                  |   |   |        |         |
|                  |   |   |        |         |



24 3/4" STAINLESS STEEL FHMS SCREWS



**Made with Union Labor**